

Three-Piece Fire Safe Ball Valve, Sizes 3" & 4"



The SVF Series FS7 standard port ball valves are produced in 3" and 4" sizes and complete the three-piece fire safe series of ball valves. They satisfy a wide range of industrial applications for processing and handling flammable fluids.

SERIES FS7 DESIGN FEATURES

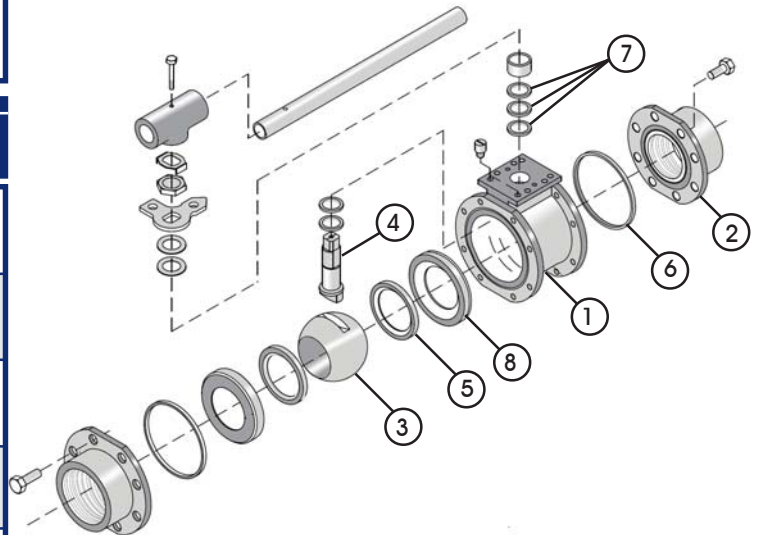
- ✓ Fire tested to API-607
- ✓ GRAFOIL® Body Seals
- ✓ Latch lock handle fully compatible with OSHA clamp for Lock-Out/Tag-Out
- ✓ Built-In ISO 5211 mounting pad for easy automation
- ✓ End connections include SE (Screwed Ends, FNPT), SW (Socket Weld) and BW (Butt Weld)



The Series FS7 Ball Valve is available with additional options. Contact SVF for more information.

MATERIALS OF CONSTRUCTION

ITEM	DESCRIPTION	MATERIALS SPECIFICATIONS (Additional options available)
1	Body	316L Stainless Steel (ASTM A351 CF8M) Carbon Steel (ASTM A216 WCB)
2	End Connector	316L Stainless Steel (ASTM A351 CF3M) Carbon Steel (ASTM A216 WCB)
3	Ball	316L Stainless Steel (ASTM A351 CF8M)
4	Stem	316L Stainless Steel (ASTM A276)
5	Seat	TFM1600™
6	Body Seal	GRAFOIL®, PTFE
7	Stem Seal	GRAFOIL®, TFM1600™, SupraLon™
8	Seat Retainer	316L Stainless Steel (ASTM A351 CF8M)



SPECIFICATION STANDARDS OF COMPLIANCE

SVF Series FS7 Ball Valves are available in designs that meet the following Industry Standards:

- ANSI
- NACE
- DIN
- ASME
- ASTM
- ISO
- API
- MSS

Contact SVF for specific applications

What do you need today?™

HIGH PURITY
CleanFLOW
www.CleanFLOW.net

PRO-SPEC
PROCESS SPECIFIC
WWW.PRO-SPEC.NET

QUALITY FLOWS
THROUGH US

Subject to revisions. Please visit www.SVF.net for the latest updates on this Data Sheet. All Data Sheets posted on our website supersede all prior publications • [Document #DDS-FS7-03/25/2010 • Series FS7 Data Sheet - 03/25/2010]

www.SVF.net

SVF Flow Controls, Inc. • 13560 Larwin Circle • Santa Fe Springs, CA 90670 • Tel: 1.800.783.7836 • FAX: 562.802.3114
 Sales@SVF.net • Visit our website: www.SVF.net • © SVF Flow Controls, Inc. • Specifications subject to change without notice

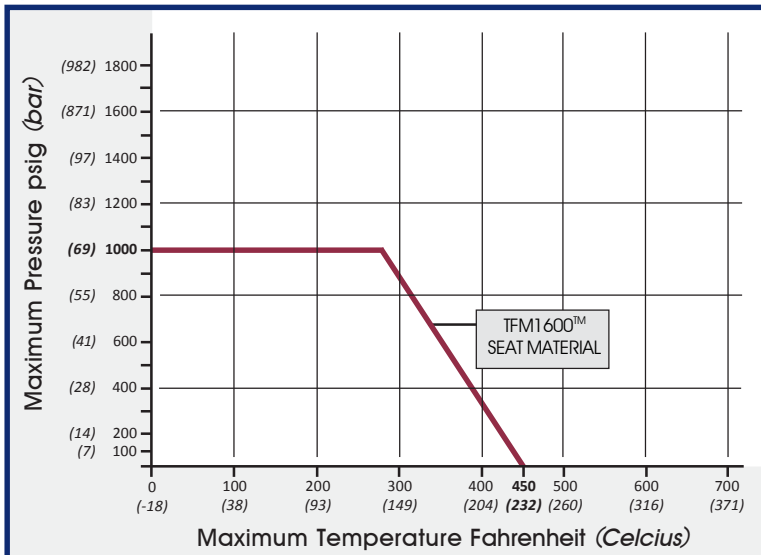
Three-Piece Fire Safe Ball Valve, Sizes 3" & 4"

FS7

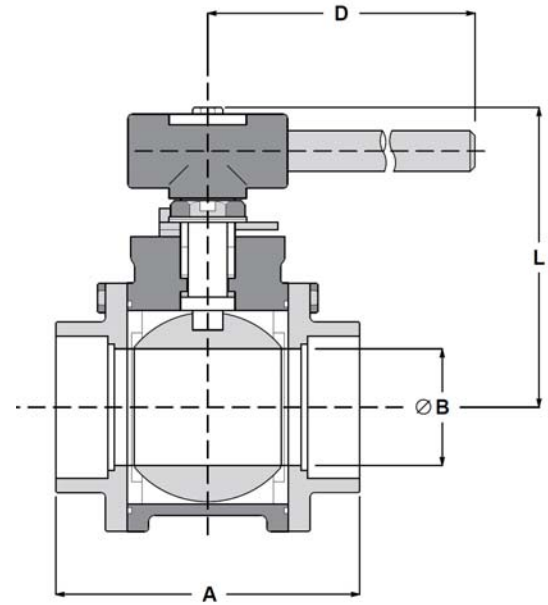
DIMENSIONS, WEIGHT, Cv, TORQUE

Size	A		B		D		L		Weight.		Cv	Torque*	
	in.	mm	in.	mm	in.	mm	in.	mm	lbs	kg		in-lb _f	Nm
3"	8.0	204	2.95	74	13.50	343	6.6	168	36	16.3	580	1000	113
4"	9.5	240	3.78	96	13.50	343	7.1	181	56	25.4	2400	2000	226

FS7 - PRESSURE/TEMPERATURE CHART



* At full differential pressure for clean fluids with TFM1600™ Seats



HOW TO ORDER SERIES FS7 BALL VALVES

SERIES	BODY & END MATERIAL	BALL & STEM MATERIAL	SEAT	BODY SEAL	ENDS	SIZE
FS7	44 = Carbon Steel ASTM A216 WCB 66 = 316L Stainless Steel ASTM A351 CF8M Body CF3M 316L Ends	66 = 316L Stainless Steel ASTM A351 CF8M Ball A276-316 Stem	A = TFM1600™	G = GRAFOIL® T = PTFE* <div style="border: 1px solid black; padding: 5px; width: fit-content;"> <p>*NOTE: Valves with PTFE Body Seals & Stem Seals are not fire safe</p> </div>	SE = Screwed Ends (FNPT) SW = Socket Weld Ends BW = Butt Weld Ends Other End Connection Options Available	30 = 3" 40 = 4"
Order Example: (FS76666AGSE40)						
Example Description: Stainless Steel Body & Ends, Stainless Steel Ball & Stem, TFM1600™ Seat, GRAFOIL® Body Seal, Screwed Ends (FNPT), 4" Size						
FS7	66	66	A	G	SE	40

Subject to revisions. Please visit www.SVF.net for the latest updates on this Data Sheet. All Data Sheets posted on our website supersede all prior publications • [Document #DDS-FS7-03/25/2010 • Series FS7 Data Sheet - 03/25/2010]